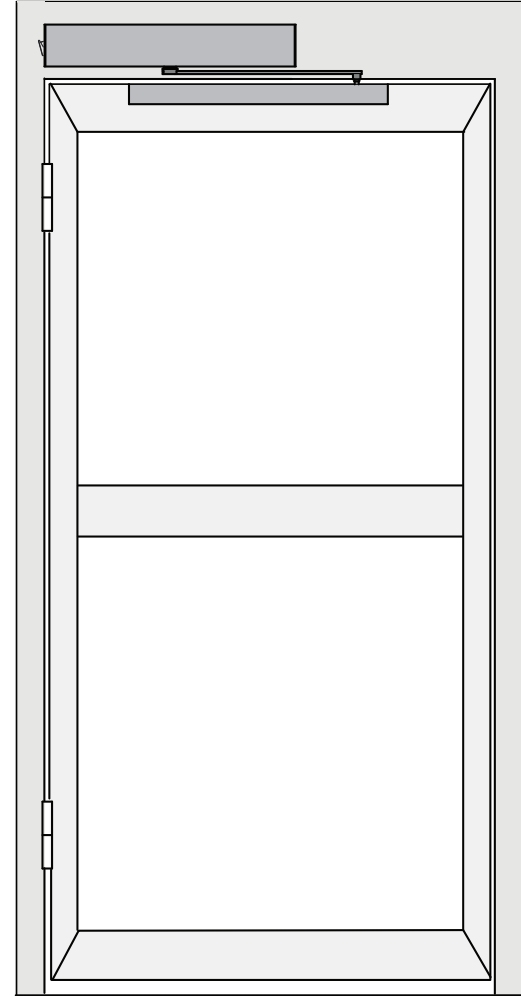


Door Operator Manual



扫码添加设备

Index

Please read the product manual carefully and keep it properly for future reference. If you have any questions during use, please contact the customer service personnel.

Precautions for safe use	01
Product parameters	02
Preparation before installation	04
Installation method of surface mounted door opener	06
Installation method of concealed door opener	16
Commissioning method for single door products	20
Commissioning method for double door products	21
App download and use	23
Common problem handling	27

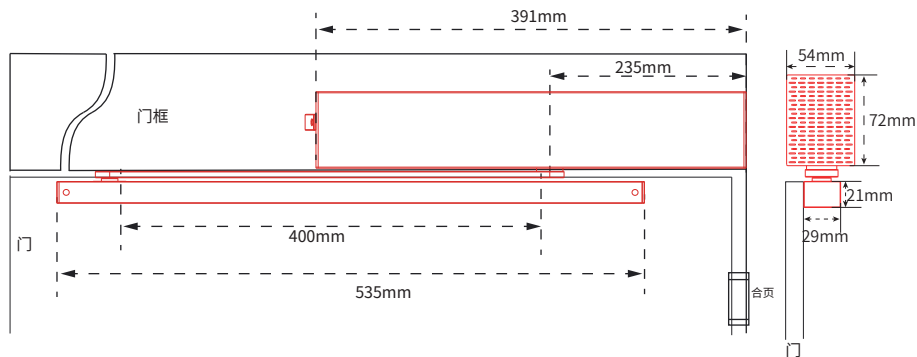
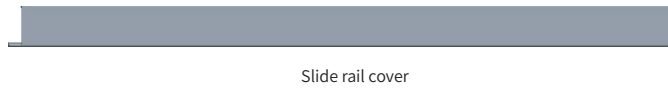
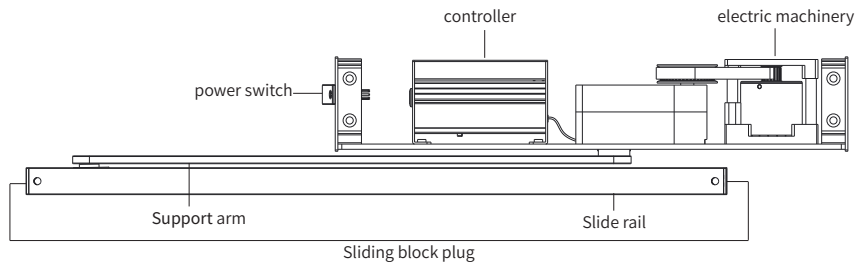
Precautions for safe use

To ensure safe use, please carefully read the in safe use instructions section after opening the package

Precautions for safe use

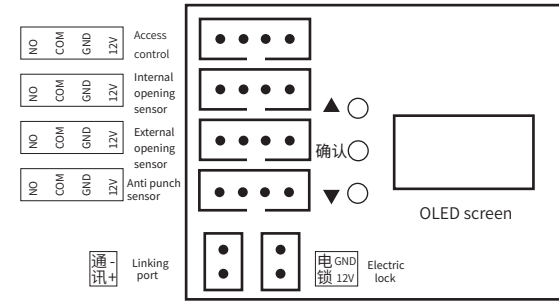
1. please use 110v~220v AC power supply, and use 10a and above sockets that meet national standards to ensure safety.
2. the product must be installed by a professional installer, distributor or similar professional personnel.
3. product commissioning shall be carried out in strict accordance with the commissioning method described in the product description to avoid accidents.
4. the equipment shall not be subject to water drops or splashes, and objects containing liquid such as vases shall not be placed on the equipment.
5. the equipment is not intended to be used by people who are physically weak, slow to respond, or have mental disorders, unless they are safely used under the guidance or help of the personnel responsible for their safety.
6. children and pets must use the product in the company of a guardian to avoid injury.
7. it is forbidden to insert any foreign matter into the appliance to avoid electric shock or fire.
8. do not touch the switch and other controllers with wet hands.
9. if the power cord is damaged, in order to avoid danger, it must be replaced by professionals from the manufacturer, its maintenance department or similar departments.
10. during use, it is strictly prohibited to put objects (including but not limited to people, pets or valuables) into the door spindle position to avoid causing Pinch injury.

Product introduction



01

Note: if face recognition access control is used, external power supply is required. It is forbidden to take power from the equipment



Door Types: Single door / double door

Scope of application: Pedestrian door set

Types of suitable doors: solid wood door / wooden frame glass door / aluminum frame door / stainless steel door

supply voltage: AC100-240V 50-60HZ

Power consumption: ≤100W

Opening time: 4-10S(Adjustable)

Hold open Duration: 1-30S (Adjustable)

Resistance sensitivity: 5 Adjustable levels

Door opening and closing speed: 3 Adjustable levels

Mute requirements: the operating noise is less than 50 dB

Applicable door weight: ≤120kg

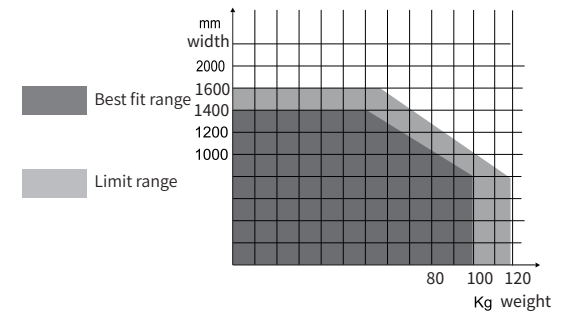
Suitable door width: 700-1100mm

Output torque: 25Nm

Manual opening force: ≤8N

Applicable temperature: -30~50°C

Opening cycles: 500000 times

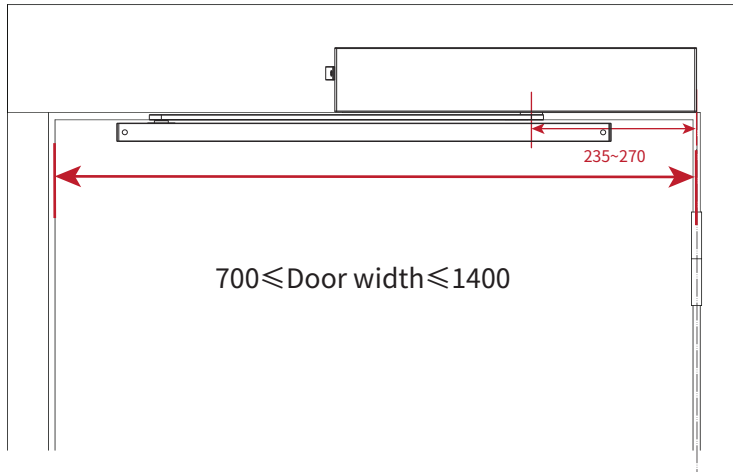


02

Preparation before installation

1. Understand the door weight, installation environment, measurement of door width and other parameters.

Scenario 1: (applicable to surface mounted door opener and concealed door opener).



1. when the weight of the door body is about 80kg, the width of the door body is 700~1400mm, and the distance from the door shaft to the center of the door opener shaft Distance 235mm.

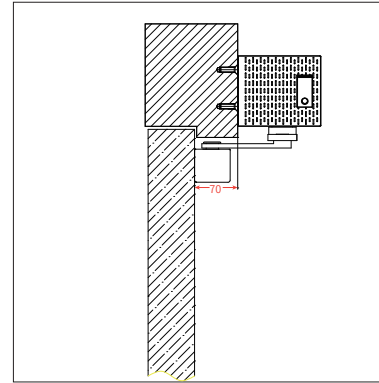
2. Optimal use for following doors:

- Door Weight = 60 Kg with Door Width = 700 to 1100 mm. Distance of the spinmdle from the hinge side = 235 mm.

- Door Weight = 60-100 Kg with Door Width = 700 to 1000 mm. Distance of the spinmdle from the hinge side = 250 mm.

- Door Weight = 100-120 Kg with Door Width = 700 to 900 mm. Distance of the spinmdle from the hinge side = 270 mm.

Scenario 2: (straight arm and curved arm choice method)



When the door opener is installed with external installation and internal opening, it is necessary to contact the manufacturer to replace the standard arm with a push arm when it exceeds the size shown in the figure above.

Installation guide for surface mounted door opener

Scenario 1: Interior decoration and interior opening. (The flight crew is inside, and the door opens towards the inside of the room)

External installation and opening. (the crew is outside, and the door is open towards the outside of the room)

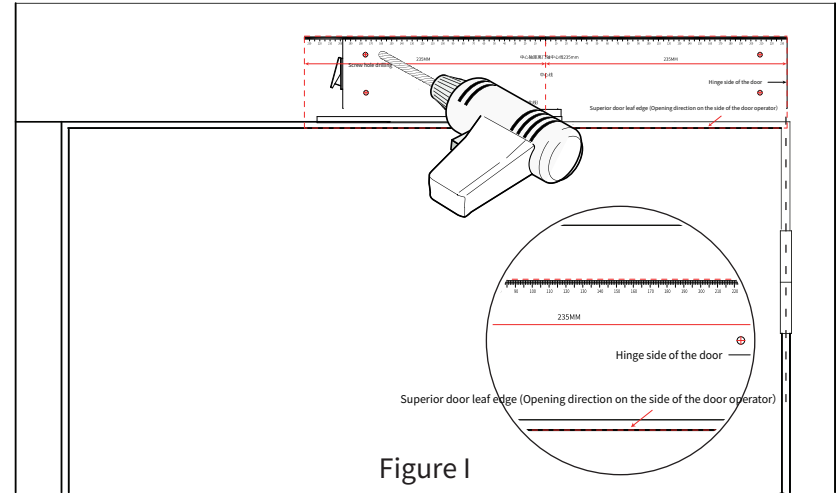
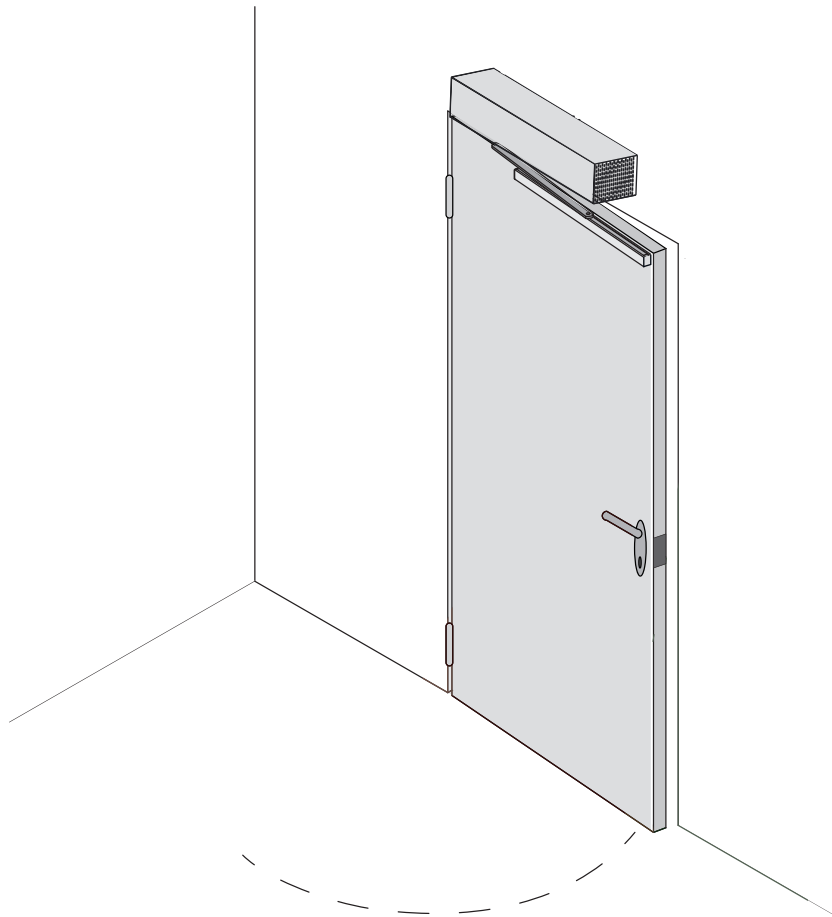


Figure 1

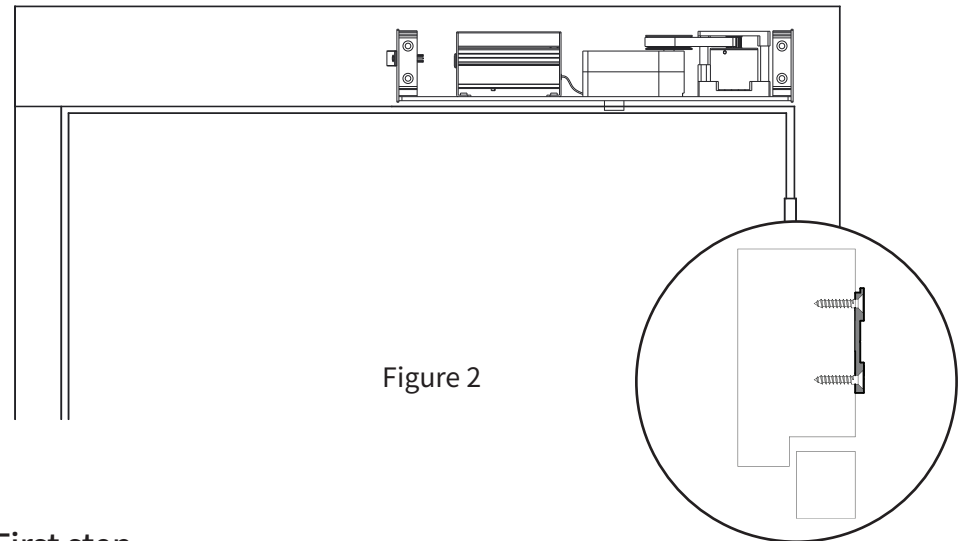


Figure 2

First step

Step 1: When the position of the door operator has been determined (interior ore exterior), place the installation template and align it with the upper edge of the door leaf.

drill the corresponding fixing screw holes, as shown in Figure 1.

Step 2: put the door opener on the door frame, align the already punched screw holes, and fix them with screws.

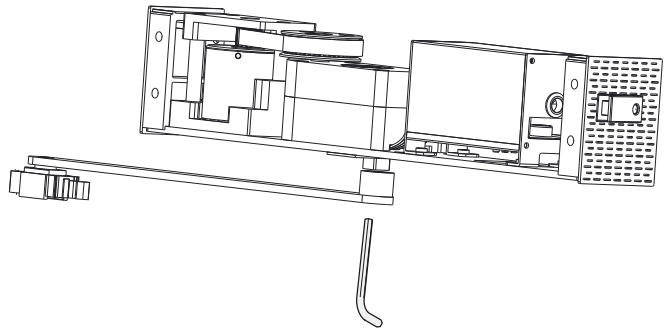


Figure 3

Step 3: fix the support arm on the door opener with hexagon socket, and pass the slide rail through the slider on the support arm, as shown in Figure 3.

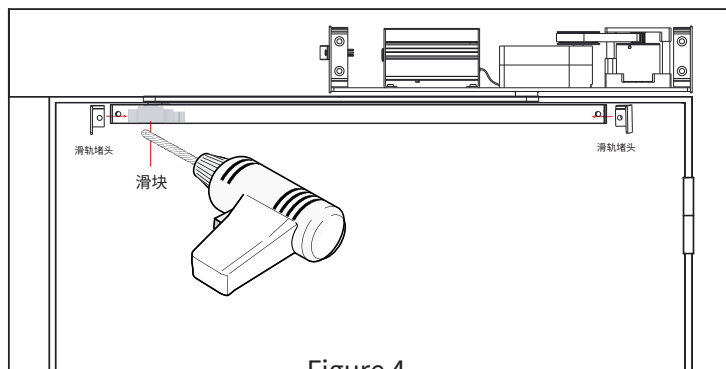


Figure 4

Step 4: close the door, install the slide rail plug, and place the slider at the end of slide rail, as shown in Figure 4, then mark the screw hole position, drill the fixing holes and fix the rail.

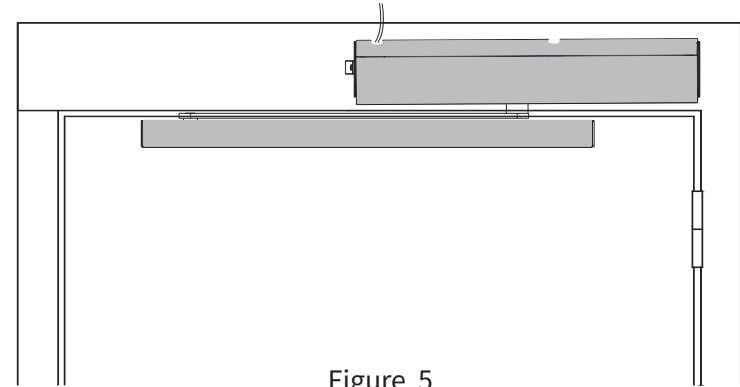


Figure 5

Step 5: connect the power, place the cover, as shown in Figure 5.

Step 6: the automatic door opener is debugged. Download the app first. See the product debugging instructions for debugging.

Scenario 2: interior installation and outward opening. (the operator is inside, and the door is open towards the outside of the room)

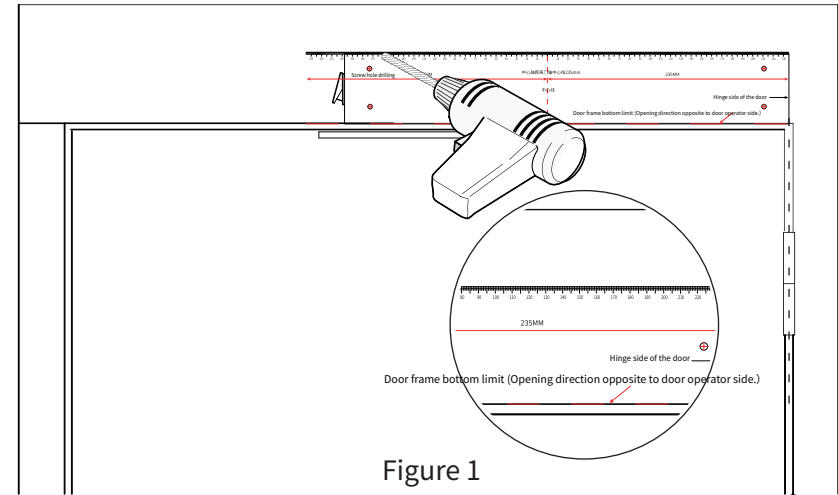
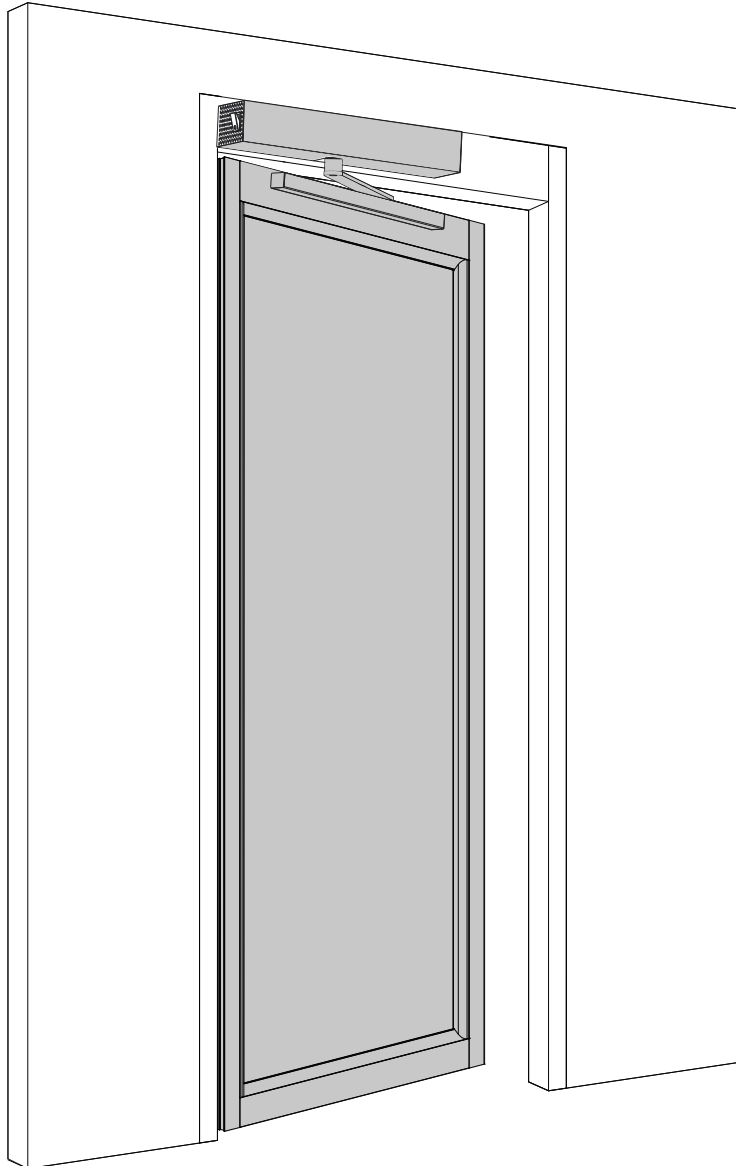


Figure 1

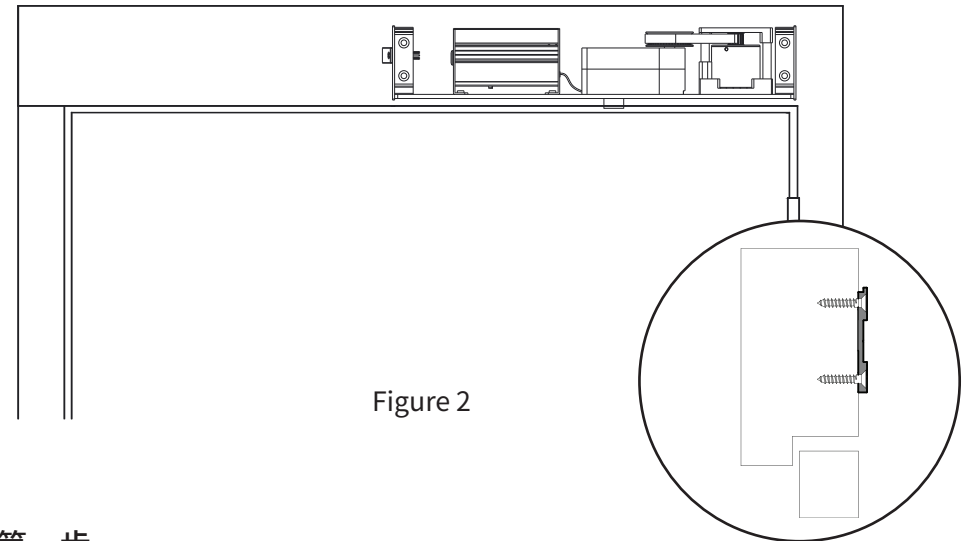
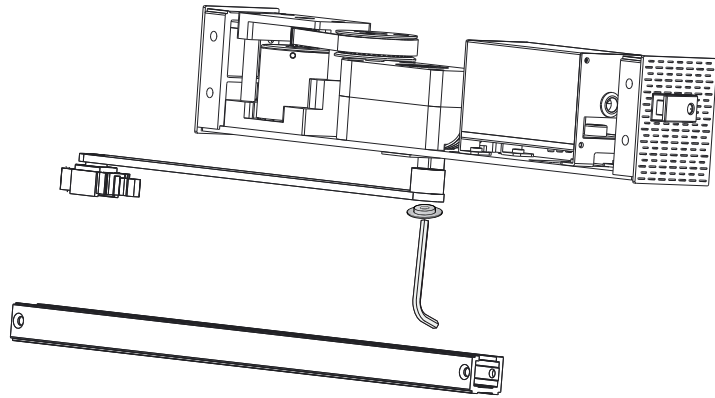


Figure 2

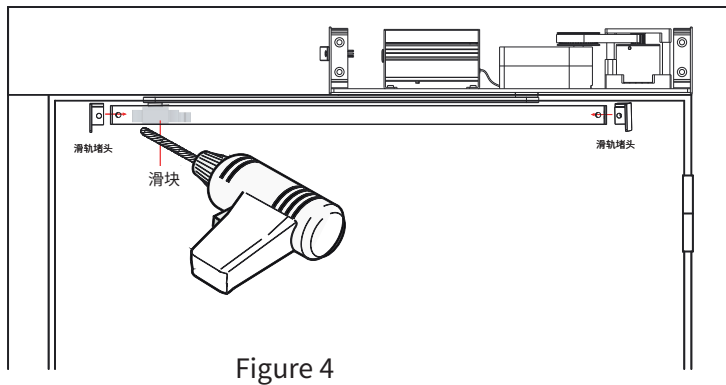
第一步

Step 1: If the door operator is installed on the opposite side of the opening direction, place the installation template on the door frame, align the lower edge of the door operator with the lower edge line of the door frame, and drill the corresponding fixing screw holes, as shown in Figure 1.

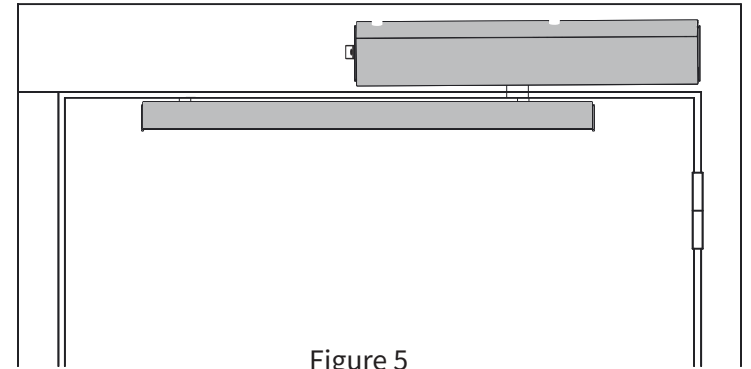
Step 2: put the door opener into the door frame, align the already punched screw holes, and fix them with screws.



Step 3: fix the support arm on the door opener with hexagon socket, and pass the slide rail through the slider on the support arm, as shown in Figure 3.



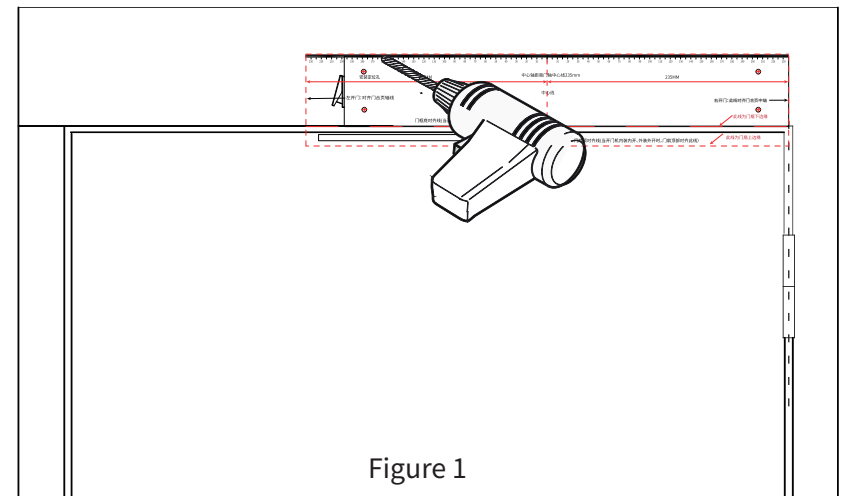
Step 4: close the door, install the slide rail plug, and place the slider at the end of slide rail, as shown in Figure 4, then mark the screw hole position, drill the fixing holes and fix the rail.



Step 5: connect the power, place the cover, as shown in Figure 5.

Step 6: the automatic door opener is debugged. Download the app first. See the product debugging instructions for debugging.

Scenario 3: installation method of push arm.



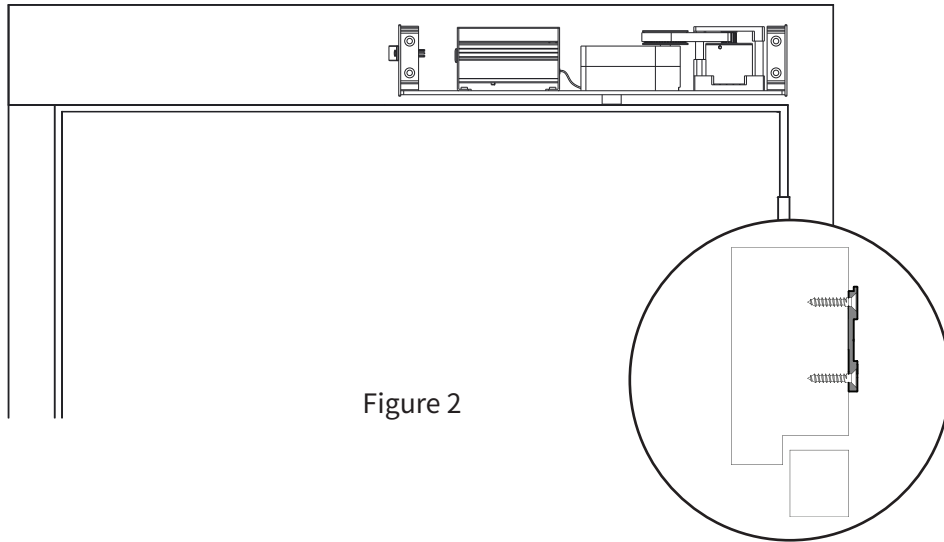


Figure 2

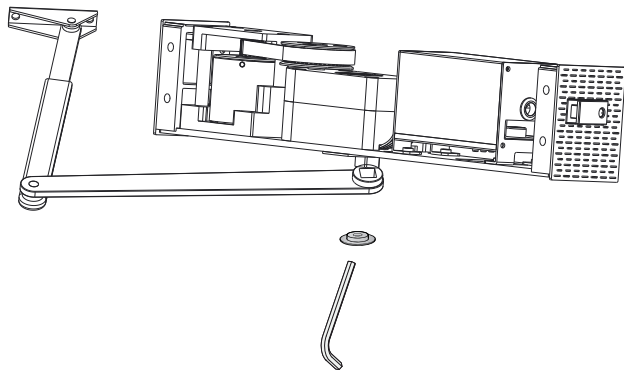
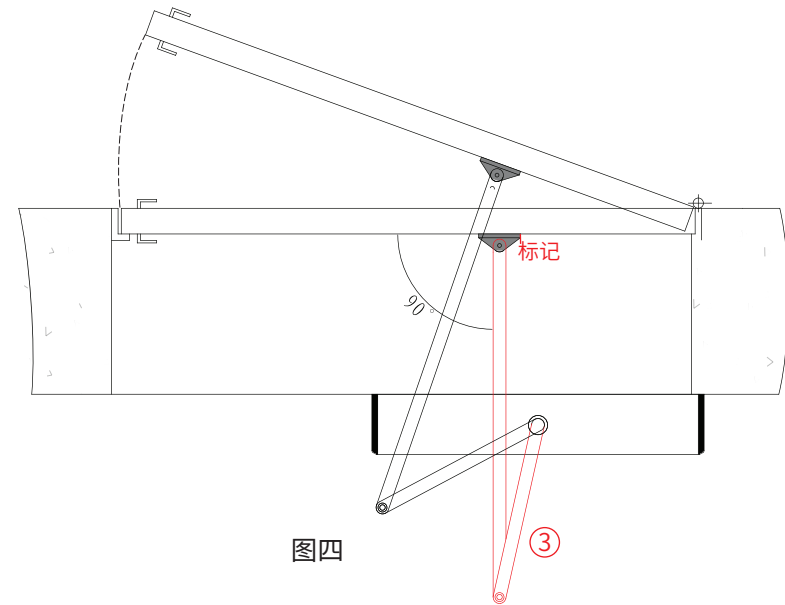


Figure 3

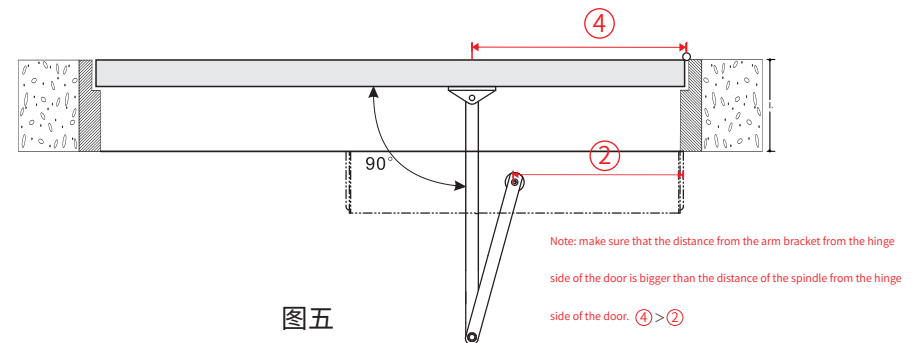
Step 1: according to the actual situation of the door body, open the screw hole position according to the hole drawing, as shown in Figure 1.

Step 2: put the door opener into the door frame, align the already punched screw holes, and fix them with screws, as shown in Figure 2.

Step 3: fix the push arm on the door opener, as shown in Figure 3.



图四

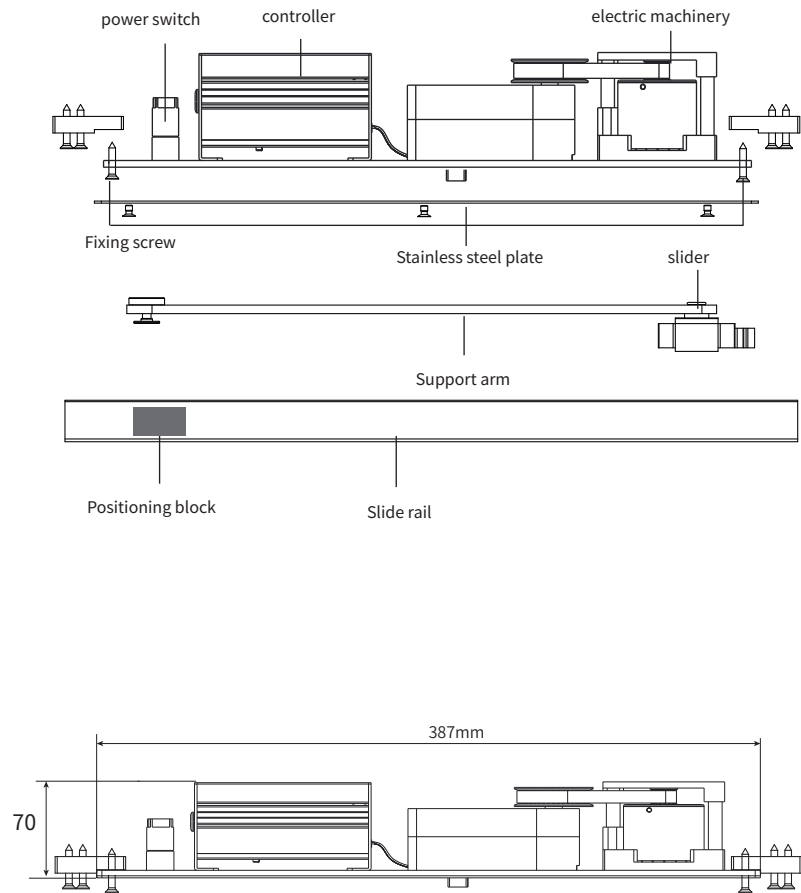


图五

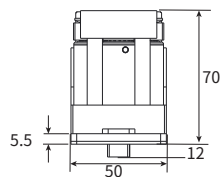
Step 4: when the door is closed, ensure that the arm is perpendicular to the door, as shown in Figure 4, and fix the other end of the arm. (Note: installation precautions are shown in Figure 5)

Step 5: install the door opener cover and other accessories, download the app, and see the product commissioning instructions for commissioning.

Product introduction



Slide rail section

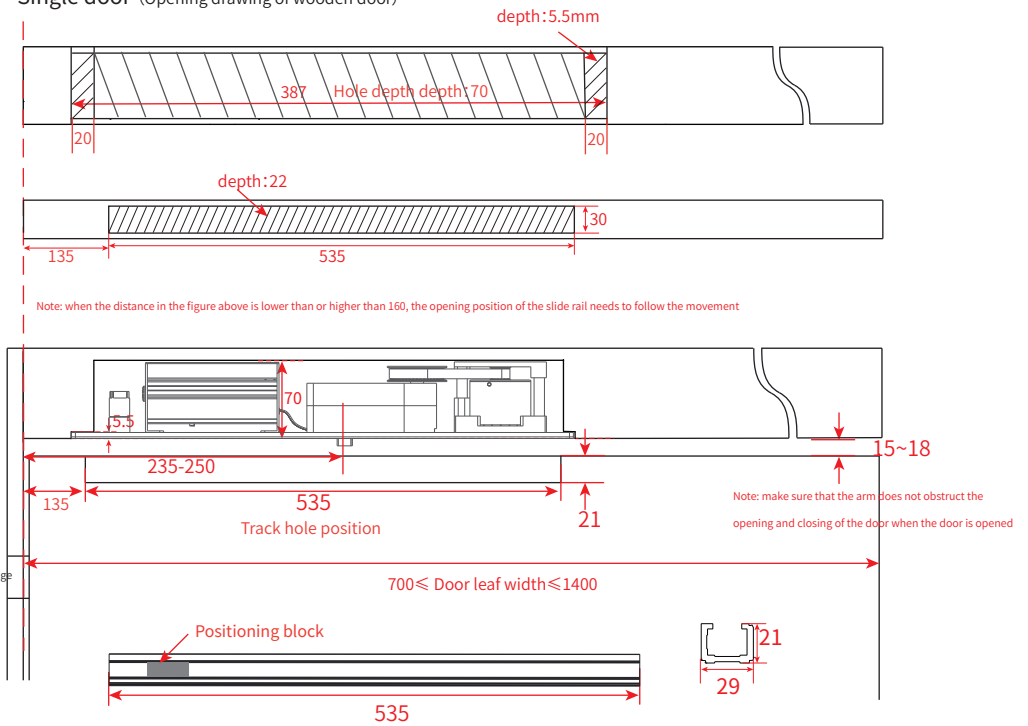


Section of main engine

Installation guide for concealed door opener

Opening size of door frame (Unit: mm)

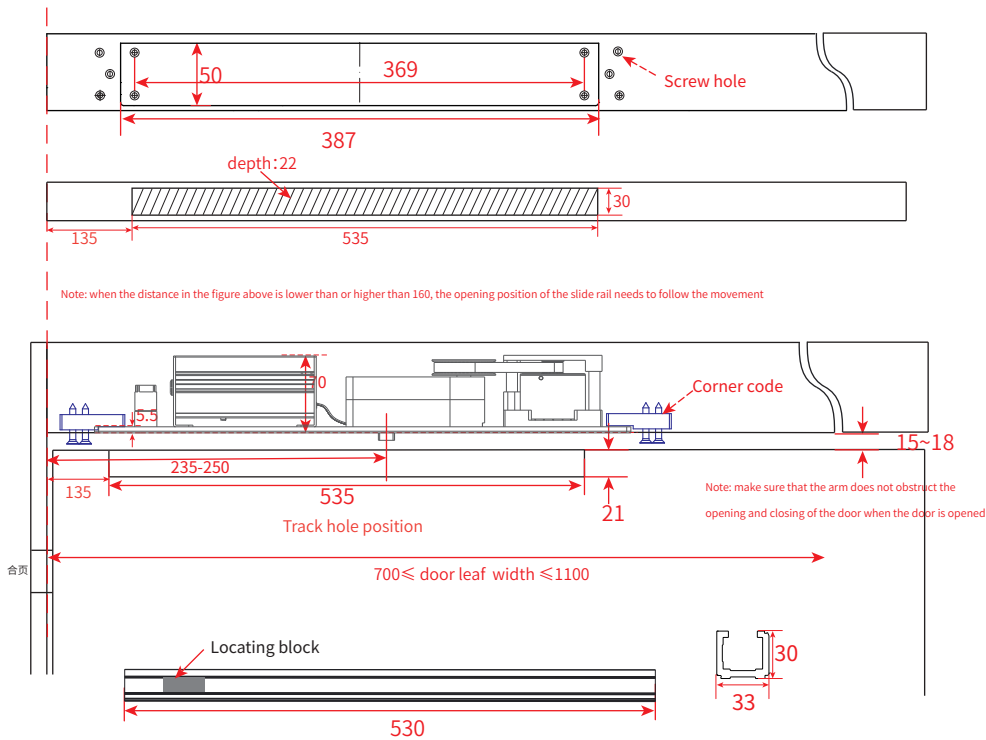
Single door (Opening drawing of wooden door)



Installation steps of door opener

1. the hole position shall be reserved according to the above dimensions, as shown in the figure above.
2. connect the power cord, put the door opener in position within the door frame, and fix the door opener with screws (including stainless steel decorative plate).
3. put the sliding block and positioning block into the track (as shown in the figure), then put the track into the track hole of the door leaf, fix the screws, open the door to the required angle, and fix the positioning block to prevent the door from continuing to open.
4. fix both ends of the support arm on the sliding blocks of the door opener and the slide rail respectively, and fix them with screws.

single door (Metal door opening drawing)

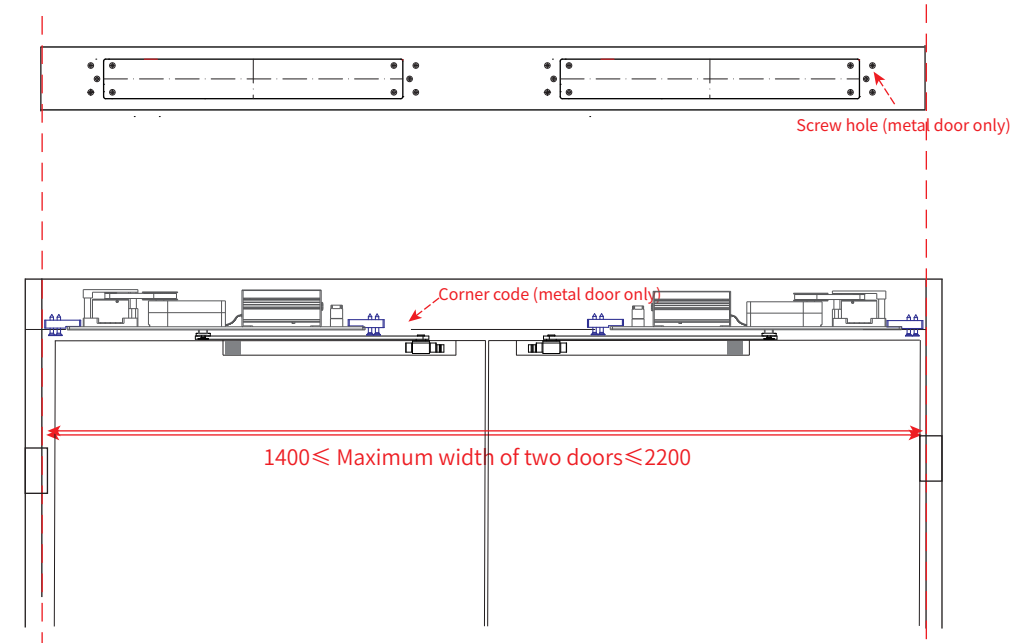


Installation steps of door opener

1. the hole position shall be reserved according to the above dimensions, as shown in the figure above.
2. install the installation brackets, connect the power cord, put the door opener into the hole of the door frame, fix it on the brackets, and install the stainless steel decorative plate.
3. put the sliding block and positioning block into the track (as shown in the figure), then put the track into the track hole of the door leaf, fix the screws, open the door to the required angle, and fix the positioning block to prevent the door from continuing to open.
4. fix both ends of the support arm on the sliding blocks of the door opener and the slide rail respectively, and fix them with screw.

Double door (Note: the metal door shall be fixed with foot code)

Double door opening size refers to single door opening size

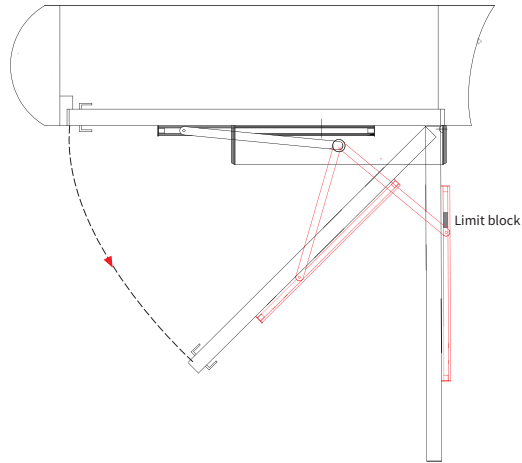



Installation steps of door opener

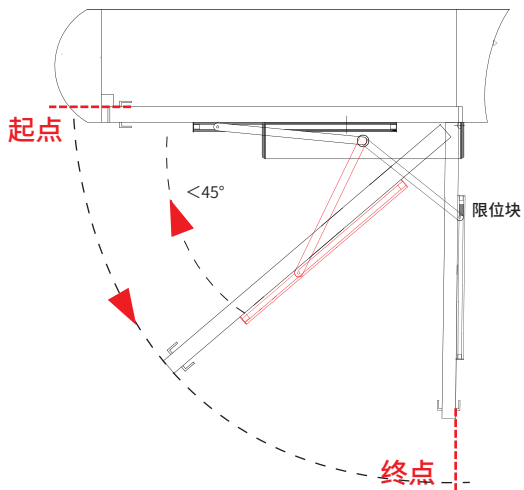
1. the hole position shall be reserved according to the above dimensions, as shown in the figure above.
2. connect the two door openers to the power line and the double door communication line, then put the door openers into the holes of the door frame, and fix the door openers with screws. (including stainless steel decorative plates)
3. put the sliding block and positioning block into the track (as shown in the figure), then put the track into the track hole of the door leaf, fix the screws, open the door to the required angle, and fix the positioning block to prevent the door from continuing to open.
4. fix both ends of the support arm on the sliding blocks of the door opener and the slide rail respectively, and fix them with screws.

Commissioning of single door opening equipment (determine the opening direction and starting point)

First step: After the door opener is installed, the door is opened to about 45°. (as shown below)



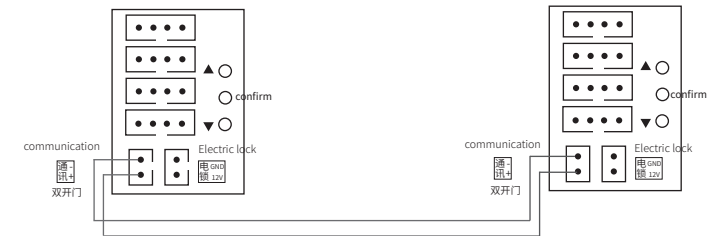
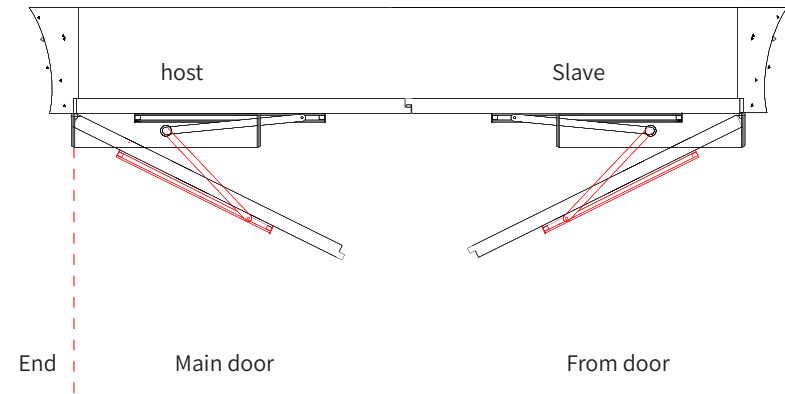
The second step: Determine the end position, place an obstacle to limit the opening angle to the desired position, open the app and press “open button ”, start journey learning. (See app add equipment process)



1. Place the door in a state close (must be less than or equal to 45 degrees).
2. Click app [open], no matter whether the door leaf starts to move in the opening direction or the closing direction, it is necessary to set a barrier at the end point. The door opener will automatically move in reverse to another stop point, and the travel learning will be completed when the door is closed.

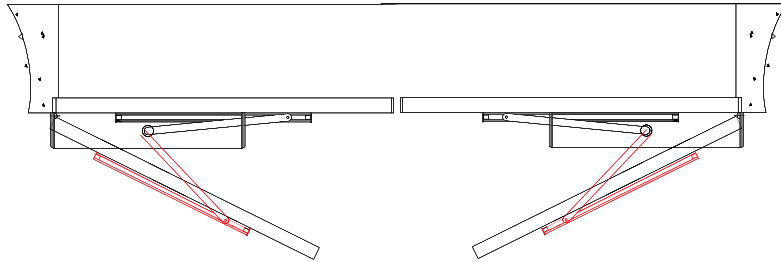
Commissioning of double door equipment

1. Double door without stop



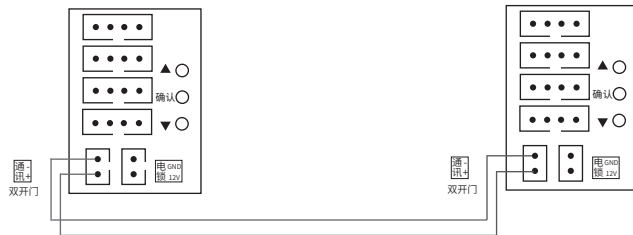
1. install 2 automatic door openers.
2. scan the QR code of the two door openers respectively, open the app, click open, and then follow the single door debugging method Carry out travel learning, reversing and other settings.
3. connect the access control or sensing equipment to two door openers respectively, as shown in the figure above, to open the door at the same time; When single door opening is required, only one of the door openers needs to be interrupted.

2. Double door without seam




Method 1: (two door openers operate separately)

1. Install two door openers.
2. Scan the QR code of the two door openers respectively, open the app, click Open, and then carry out travel learning, reversing and other settings according to the single door opening debugging method.
3. Connect the access control or induction equipment to two door openers respectively, as shown in the figure above, to realize simultaneous door opening; When single door opening is required, just turn off one of the door openers.

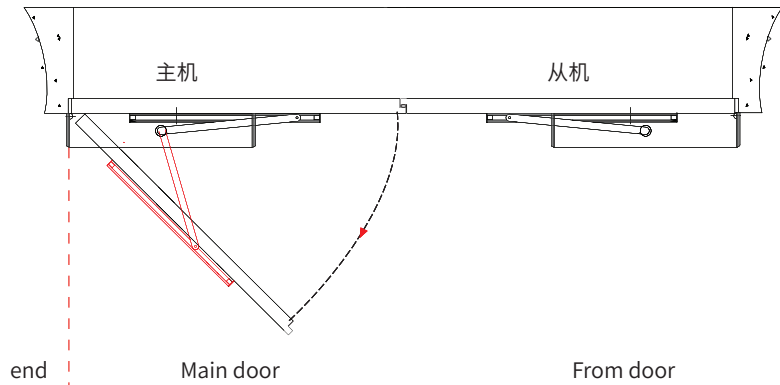


Method 2: (Two door openers operate in linkage)

1. Install two door openers.
2. Connect the two door openers with communication lines, as shown in the figure above
3. Scan the QR code of any door opener as the host machine and the other as the slave machine. Open the advanced settings and select [Double opening linkage] from the [single opening/linkage] option (Note: the judgment method of host machine and slave machine: when opening the door, the automatic door opener installed on the first opened door is the host machine)

4. Open the APP adding device, click the APP  to start the journey learning (see the APP adding device process), (Note: manually open the two doors 0° - 30°, as shown in the figure above), no matter whether the main door starts to move towards the opening direction or the closing direction, it is necessary to set a block at the end point, and the door opener automatically moves backward to another stop point. After the main door learning is completed, the secondary door will automatically learn without blocking. The learning will be completed when the two doors are closed

3. Switching method of double open and single open modes in case of double machine linkage



1. Double door mode switches to single door mode

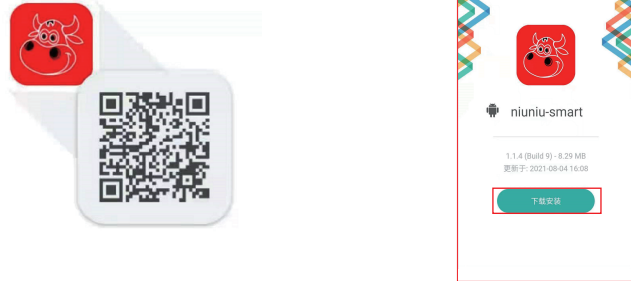
When the double door mode needs to be switched to the single door mode, first power off the two devices, and then turn on the host to realize the single door pattern

2. Restore the double door mode

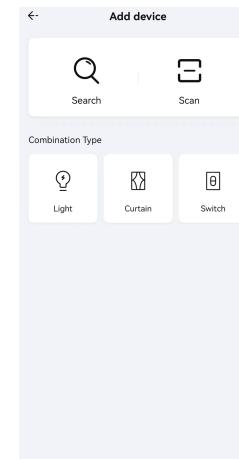
When the single door opening mode needs to be switched back to the double door opening mode, first turn off the power of the host, then turn on the slave power, and then turn on the host power to restore the double door opening mode

App download method

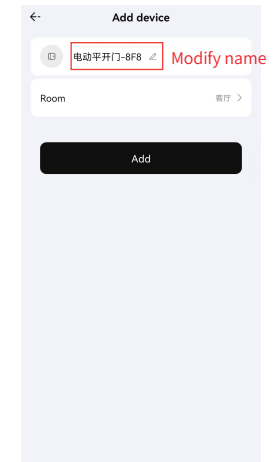
Scan the QR code and download "Niuniu smart space", click download, as shown in the figure below



4. Click Scan to add, as shown in the figure

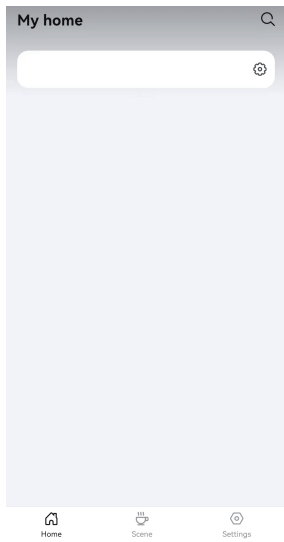


3. Scan the QR code on the device, set the device name, and click add, as shown in the figure

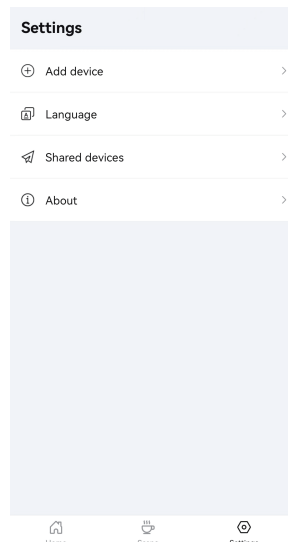


Add device process

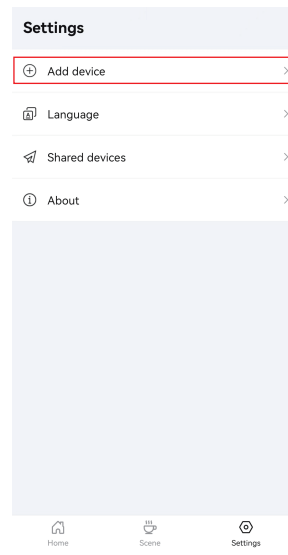
1. Open the app as shown in the figure



2. Click settings, as shown in the figure

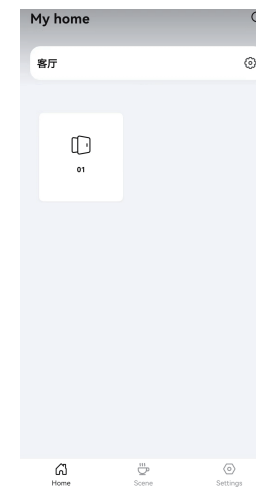


3. Click Add device, as shown in the figure.

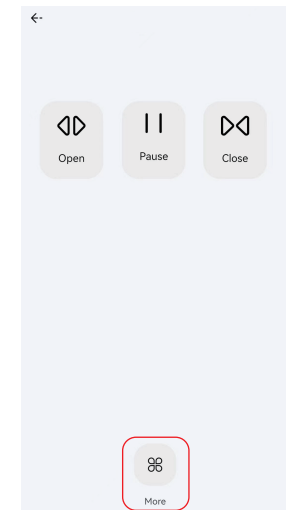


Equipment setting, reversing, double door setting, adding remote control method

1. Return to the home page and click the added device

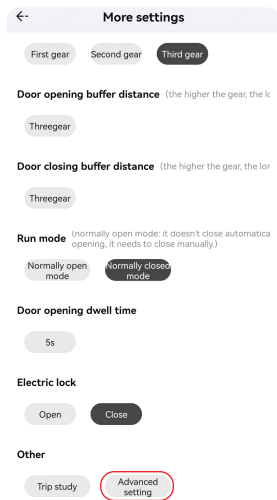


2. Click more, as shown below

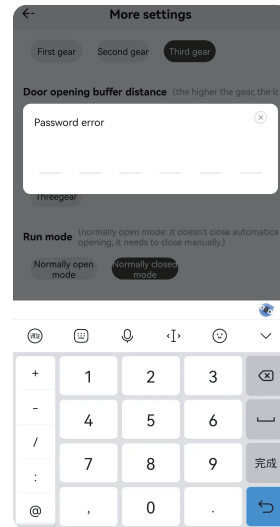


3. Make basic settings for the device.

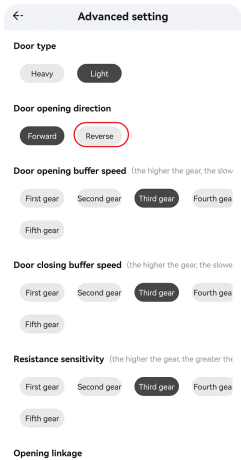
For more settings, click Advanced settings



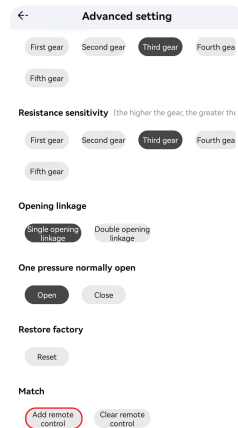
4. Enter the default password "736655" to enter the setting interface



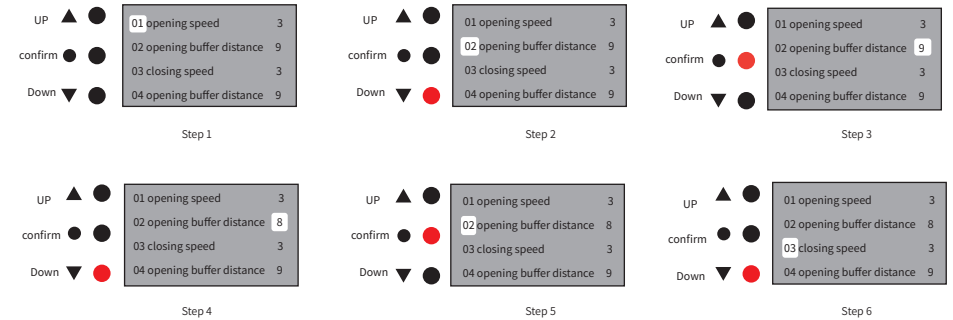
5. Click the door opening direction and select reverse direction for reversing (reversing operation)



6. Double open door select double open parallel, add remote control, click Add remote control to enter pairing



1. Screen key operation method



The parameters of the door operator controller are usually adjusted to a more appropriate state at the time of delivery, and it is generally unnecessary for the user to adjust the parameters.

When the user really needs to adjust the parameters, he can set the parameters by pressing the keys and set with the LCD screen. In order to protect the environment and save energy, the LCD screen on the door opener control is usually in the rest state.

After pressing any key, the LCD will light up.

Press the middle confirmation key to make the specific parameter value behind the current selection appear in the reverse color display. Press the up / down key to modify the specific value of the current selection;

Press the middle key to confirm the setting so that the specific parameter value behind the current selection item is not displayed in reverse color. Press the up and down keys to switch different parameter setting

Remote control docking and use method

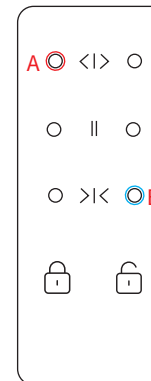
matching method of key remote controller

1. add remote controller to app

(1) Open the app, find the device you want to remote control, enter [advanced settings], and click Add remote control
 (2) After clicking [add remote controller], quickly press the door opening key and door closing key on the remote controller simultaneously (Note: Press and hold the A and B keys at the same time to press several times continuously) to complete remote control matching.

2. add remote controller to the door operator button

(1) After operating the equipment [add a / b remote control], the door operator will give out the interval sound of "tick".
 (2) After clicking [add remote controller], quickly press the door opening key and door closing key on the remote controller simultaneously (Note: no matter left or right buttons can be pressed at the same time, and can be pressed several times continuously) to complete remote control matching.
 (3) The number after [add remote controller a / b] increases cumulatively.





Motion sensor
LED



usb charging plug ON/OFF button

Matching method of hand scan induction remote controller

1. App add remote control

- (1) Open the remote controller, and press and hold the [on/off button] for 5S to start the device.
- (2) Press the [on/off button] once to make the indicator light stay blue and enter the code matching mode
- (3) Open the app, find the device you want to remote control, enter [advanced settings], and click Add a remote control
- (4) Then press the [on/off button] again to cancel the blue light

2. add remote controller to the door operator button

- (1) Open the remote controller, and press and hold the [on/off button] for 5S to start the device.
- (2) Press the [on/off button] once to make the indicator light stay blue and enter the code matching mode
- (3) After operating the equipment [add a / b remote control], the door opener will give out the interval sound of "tick".
- (4) The numbers behind [add remote controller a / b] are incremented, and then press [on/off button] again to cancel the blue light.

Note: When the electric lock function is turned on, and the door is closed and locked, press the APP or the pause button of the remote control, the remote control A can shield the signal of the remote control B, so that the remote control B cannot be used

Function description

Opening/closing speed gear	Adjust the opening/closing speed. The first gear is the slowest and the third gear is the fastest
Buffer distance of opening/closing door	Adjust the door opening/closing buffer distance. The first gear is the shortest and the ninth gear is the longest
Buffer speed of opening/closing door	Adjust the speed of the door opening/closing buffer distance. The first gear is the fastest and the fifth gear is the slowest
Door opening dwell time	Adjust the door opening dwell time, 1-30S adjustable
Door opening direction	Adjust the door opening direction. When the actual door opening direction is opposite to the demand direction, it is used for reversing
Normally open/normally closed mode	Normally open mode: the door is not closed after opening; Normally closed mode: the door closes automatically after opening
Obstacle sensitivity	Adjust the force when continuing to move after encountering resistance, with 1 as the minimum and 5 as the maximum
Electric lock	When the product is connected to the electric plug lock, 0 is the function of closing the electric lock; 1 is to open the electric lock function
Closing impulse	The impact speed when the door leaves are closed, the 0 gear is cancelled, the 1 gear is the minimum, and the 5 gear is the maximum, which is suitable for the adhesive strips of different door leaves

Maximum speed gear	Adjust the opening/closing speed. The first gear is the slowest and the ninth gear is the fastest
Low speed buffer distance	Adjust the distance between the door leaf and the end point when closing the door. The first gear is the shortest and the ninth gear is the longest
First pressure normally open	When the door leaf is opened, press the door leaf to keep it normally open
Journey learning	For door leaf automatic learning stroke
Double door	When the door leaf is a double door, it is set as a double door
Host/slave	When double door is set, master/slave is required, and 0 is slave; 1 is the host
Linkage time	When the door leaf is a double door, it is used to adjust the time interval between the opening/closing of two doors. The larger the number, the longer the interval
Add A/B remote control	It is used to add a remote controller. The function of A/B remote control is the same. A/B can add 4 remote control devices respectively
Door closing retention	Adjust the force when the door is closed to the closing end position
Closing pressing time	Adjust the pressing time when the door is closed to the closing end position
Clear remote control	Clear all remote controls
Restore factory settings	Used to reset the product and restore the equipment to the factory state
Reaction sensitivity	The default setting is 5. When the door body is too heavy or light, and the door body shakes during operation, the parameter is increased or decreased

Warning

In case of power failure, the door opener will automatically find the starting position when power is back. In case of obstruction during this operation, please close the power button and restart to let the cycle restart from scratch.

Warm suggestions

1. Restart the door operator regularly (once every half a year).
2. Regularly check all fixing screws of the door operator to prevent poor operation caused by loose screws.